

# LX

## LX/Initial lifting

First edition

Apart from the LX series high capacity characteristics, the initial lifting models also offer the possibility to lift legs, hence facilitating the overcoming of ramps and knick points. These models can also be used for the simultaneous transport of 2 pallets: one with the forks and one with the clamps.



Flip down operator platform available  
AC traction motor



### CARTER INTERNAL FEATURES

The New LX design with its strong wheel protection guard integrated into the frame structure aimed to increase both stability and safety. Now the new strong ABS battery cover comes with hinges which speed up all ordinary battery maintenance operations.



### TOTAL WIDTH REDUCTION

The LX maneuverability has been improved by reduction of total width from 850 mm to 800 mm and by side wheel always within the truck width even when pivoting, allowing the operator to handle goods in narrow spaces and corridors.



### IMPROVED TILLER

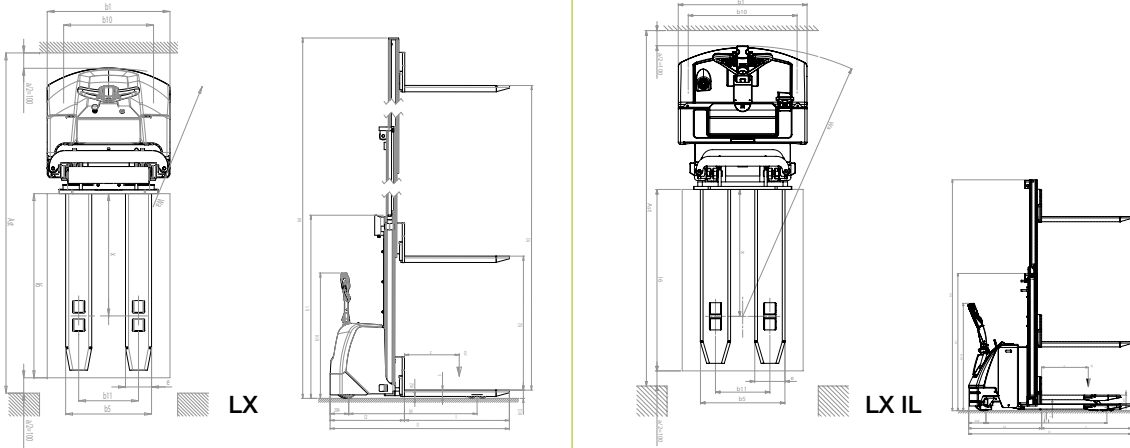
Improved tiller with lifting/lowering proportional control. Fully integrated system with throttle, safety pushbutton, horn, hourmeter, battery status indicator.



### MAST

The wider mast combined with the new ergonomic tiller to make LX more agile and easy to use. A sticker ruler allows the operator to easily check the forks elevation by sight.

# Electric Stackers



DESCRIPTION		LX 14/45	LX 12/25 INITIAL LIFTING	LX 14/29 INITIAL LIFTING	LX 16/29	LX 12/29
1.2	MODEL	LX 14/45	LX 12/25 INITIAL LIFTING	LX 14/29 INITIAL LIFTING	LX 16/29	LX 12/29
1.3	DRIVE	ELECTRIC	ELECTRIC	ELECTRIC	ELECTRIC	ELECTRIC
1.4	OPERATOR TYPE	PEDESTRIAN	PEDESTRIAN	PEDESTRIAN	PEDESTRIAN	PEDESTRIAN
1.5	LOAD CAPACITY	Q kg 1400	1200	1400	1600	1200
1.6	LOAD CENTRE DISTANCE	c mm 600	600	600	600	600
1.8	LOAD DISTANCE, CENTRE OF DRIVE AXLE TO FORK	x mm 797	840	820	820	780
1.9	WHEEL BASE	y mm 1436	1555	1555	1436	1373
WEIGHTS						
2.1	SERVICE WEIGHT WITH BATTERY (SEE LINE 6.5)	kg 1190	947	1080	1050	837
2.2	AXLE LOAD LADEN, FRONT/REAR	kg 1002/1588	739/1408	856/1624	977/1673	794/1243
2.3	AXLE LOAD UNLADEN, FRONT/REAR	kg 801/389	590/357	674/406	723/315	603/234
TYRES/CHASSIS						
3.1	TYRES	G+P/P	G+P/P	G+P/P	G+P/P	G+P/P
3.2	TYRE SIZE, FRONT (Ø x width)	250x101	250x76	250x101	250x101	250x76
3.3	TYRE SIZE, REAR (Ø x width)	82x70	78x78	78x78	82x70	82x70
3.4	SIDE WHEELS (Ø x width)	2 x 100x38	125x50	125x50	2 x 100x38	2 x 100x38
3.5	WHEELS, NUMBER (x=DRIVEN) FRONT/REAR	1x+2/4	1x+2/4	1x+2/4	1x+2/4	1x+2/2
3.6	TREAD, FRONT	b10 mm 586	720	720	586	586
3.7	TREAD, REAR	b11 mm 390	360	360	390	390
DIMENSIONS						
4.2	HEIGHT, MAST LOWERED	h1 mm 2080	1765	1965	1965	1985
4.3	FREE LIFT	h2 mm -	-	-	-	-
4.4	LIFT	h3 mm 4410	2410	2810	2810	2810
4.5	HEIGHT, MAST EXTENDED	h4 mm 5020	2970	3370	3370	3390
4.6	INITIAL LIFT	h5 mm -	120	120	-	-
4.9	HEIGHT OF TILLER IN DRIVE POSITION MIN/MAX	h14 mm 990/1390	990/1390	990/1390	990/1390	990/1390
4.15	HEIGHT, LOWERED	h13 mm 90	90	90	90	90
4.19	OVERALL LENGTH	l1 mm 1966	2100 (2192/2603)	2110 (2202/2613)	1944	1920
4.20	LENGTH TO FACE OF FORKS	l2 mm 816	950 (1042/1453)	960 (1052/1463)	795	770
4.21	OVERALL WIDTH	b1 mm 800	850	850	800	800
4.22	FORK DIMENSIONS	s/e/l mm 70/170/1150	70/200/1150	70/200/1150	70/170/1150	70/150/1150
4.24	FORK-CARRIAGE WIDTH	b3 mm 644	650	644	644	650
4.25	DISTANCE BETWEEN FORK ARMS	b5 mm 560	560	560	560	560
4.32	GROUND CLEARANCE, CENTRE OF WHEEL BASE	m2 mm 20	17/137	17/137	20	20
4.34	aisle width for pallets 800x1200 lengthwise	Ast mm 2380	2432 (2485/2942)	2446 (2499/2956)	2365	2330
4.35	TURNING RADIUS (PLATFORM CLOSED/OPEN)	Wa mm 1613	1694 (1747/2204)	1694 (1747/2204)	1613	1550
PERFORMANCE DATA						
5.1	TRAVEL SPEED, LADEN/UNLADEN	km/h 6/6	5.5/6 (3.5/4)	5.5/6 (3.5/4)	6/6	6/6
5.2	LIFT SPEED, LADEN/UNLADEN	m/s 0,14/0,28	0,09/0,15	0,08/0,12	0,13/0,25	0,15/0,28
5.3	LOWERING SPEED, LADEN/UNLADEN	m/s 0,34/0,40	0,4/0,1	0,4/0,1	0,31/0,38	0,31/0,16
5.8	MAX GRADEABILITY, LADEN/UNLADEN	% 5/10	5/10	5/10	5/10	5/10
5.10	SERVICE BRAKE	ELECTRIC	ELECTRIC	ELECTRIC	ELECTRIC	ELECTRIC
ELECTRIC MOTORS						
6.1	DRIVE MOTOR POWER	kW 1,2	1,2	1,2	1,2	1,2
6.2	LIFT MOTOR POWER	kW 3,2	2,5	2,5	3,2	2,2
6.4	BATTERY VOLTAGE, NOMINAL CAPACITY C5	V/Ah 24/300	24/180	24/180	24/300	24/300
6.5	BATTERY WEIGHT	kg 270	200	200	270	270

MODEL		LX 12/16	LX 12/25	LX 12/35	LX 12/38	LX 14/42	LX 14/42 FREE LIFT	LX 14/45 FREELIFT	LX 14/50	LX 14/50 FREELIFT	LX 16/16	LX 16/25	LX 16/35	LX 14/25 INITIAL LIFTING	LX 14/45 INITIAL LIFTING
SERVICE WEIGHT WITH BATTERY (SEE LINE 6.5)		750	822	878	888	1172	1204	1223	1229	1262	920	1025	1090	1055	1232
AXLE LOAD LADEN, FRONT/REAR		761/1190	789/1233	810/1268	814/1274	883/1689	902/1702	913/1710	916/1713	935/1727	888/1632	960/1665	1005/1685	834/1621	940/1692
AXLE LOAD UNLADEN, FRONT/REAR		540/210	592/230	632/246	639/249	789/383	810/394	823/400	827/402	849/413	633/287	706/319	750/340	652/403	768/464
HEIGHT, MAST LOWERED	h1 mm	1965	1785	2250	2425	1985	1994	2089	2285	2294	1965	1765	2265	1765	2099
FREE LIFT	h2 mm	1510	-	80	80	-	1370	1470	-	1675	1510	-	-	-	-
LIFT	h3 mm	1510	2410	3410	3760	4110	4110	4410	5025	5025	1510	2410	3410	2410	4410
HEIGHT, MAST EXTENDED	h4 mm	1965	2990	3915	4265	4725	4734	5029	5635	5644	1965	2970	3970	2970	5039
INITIAL LIFT	h5 mm	-	-	-	-	-	-	-	-	-	-	-	-	120	120
BATTERY															
BATTERY VOLTAGE, NOMINAL CAPACITY C5	V/Ah	24/225	24/300												
BATTERY WEIGHT	kg	270	270												